

2 way Manifold



TECHNICAL FEATURES :

- Working pressure: 6000 PSI
- Temperature rating : PTFE 450°F (232°C).
- Material of construction : SS 316.
- Stem packing : PTFE.

BONNET ASSEMBLY:

- Screwed Bonnet design.
- Spindle tip -Non rotating vee tip shut off type
- Spindle-Rolled thread type
- Bonnet pusher - Duly machined for smooth stem cycle.
- Dust cap - Protects stem threads from external contamination.

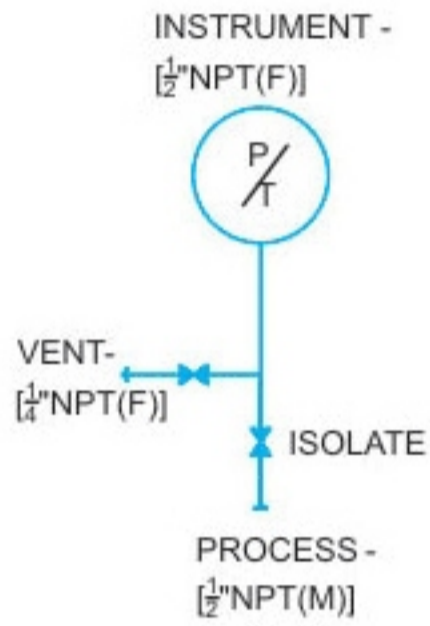
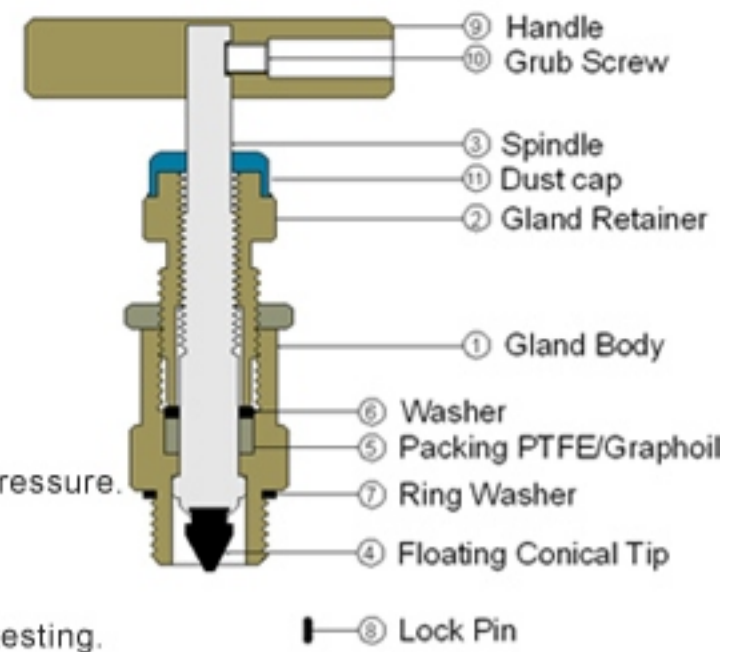
TESTING :

- Hydrostatic shell test is performed AT 1.5 TIMES the working pressure.
- Optional(helium/nitrogen) tests are available on request.

CLEANING & PACKAGING:

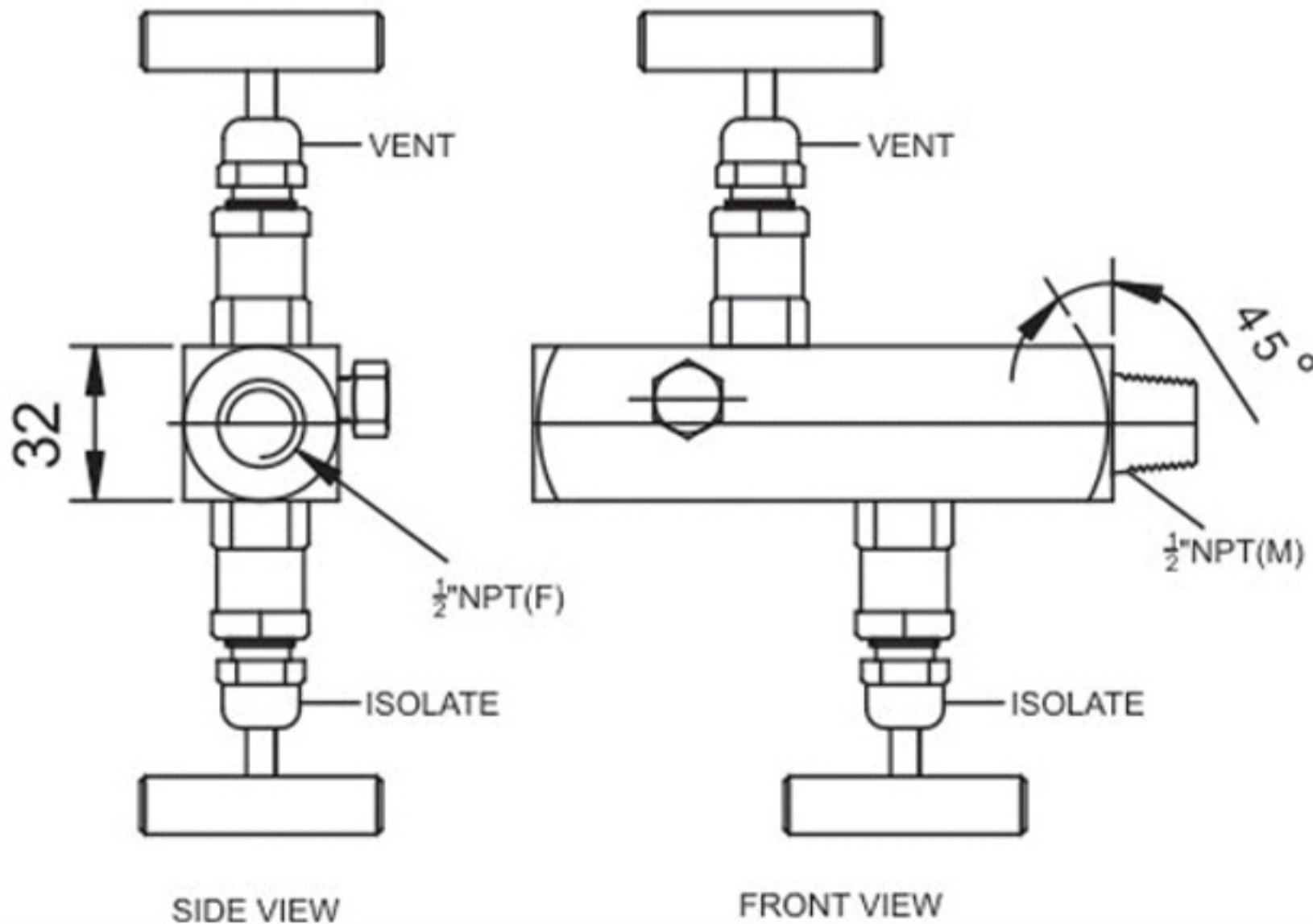
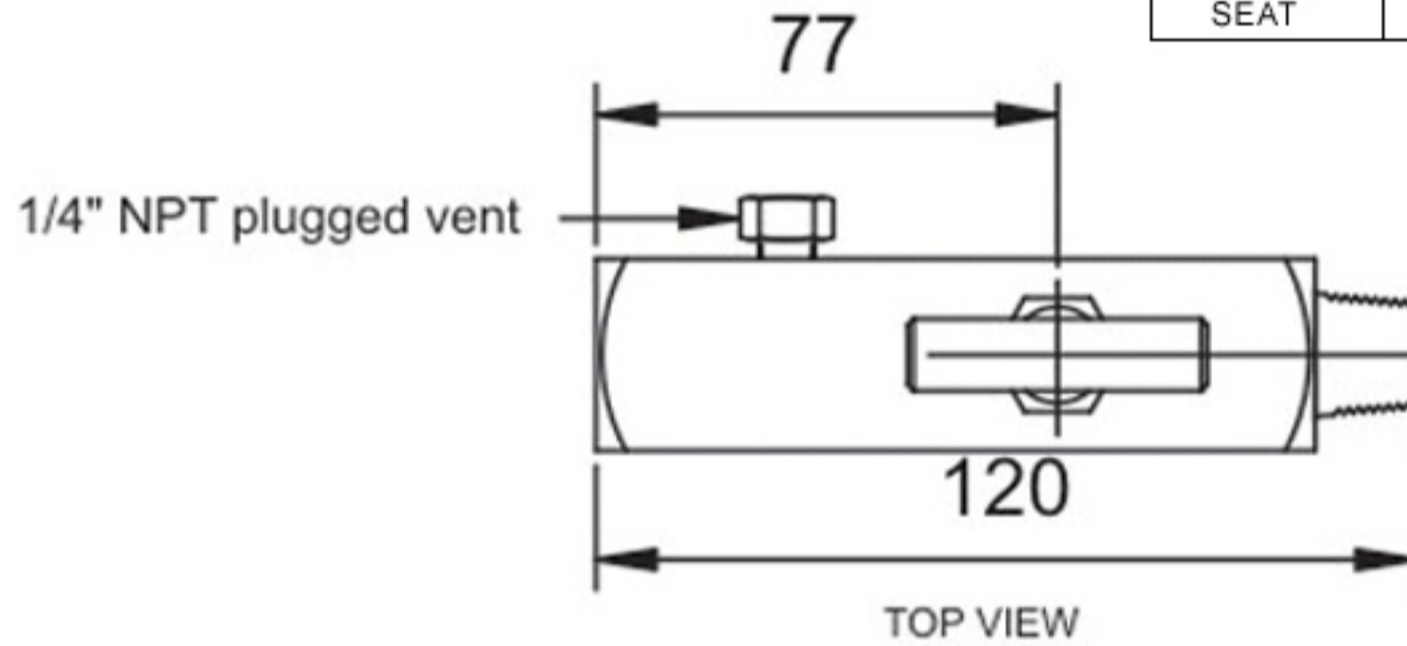
- All components are ultrasonically cleaned prior to assembly & testing.

NOTE: Different End connections and Material grades offered on request.
All valves are 100% factory tested.




TEST PRESSURES

| | HYDRAULIC | PNEUMATIC (NITROGEN) |
|------|-----------|----------------------|
| BODY | 9000_PSI | 1000_PSI |
| SEAT | 6600_PSI | 1000_PSI |



NOTE: ALL DIMENTIONS ARE IN MM. DIMENTIONS ARE FOR REFERENCE ONLY & SUBJECTED TO CHANGE

| | | | | |
|---------------------|--------------|----------------|--------------------|--|
| DRN.BY. JAIM | DATE : | CLIENT : | ITEM : |  PMT ENGINEERS Naroda- Ahmedabad- 382330 E-Mail : info@pmtengineers.com pmtpanchal@yahoo.co.in Web : www.pmtengineers.com |
| CHD.BY. | ISSUE NO. | NAME : | APPD.BY PART NO. : | |
| APD.BY. | ISSUE DATE : | DESIGNATION : | QTY : _____ NOS. | |
| | | SIGN & STAMP : | MATERIAL : | |